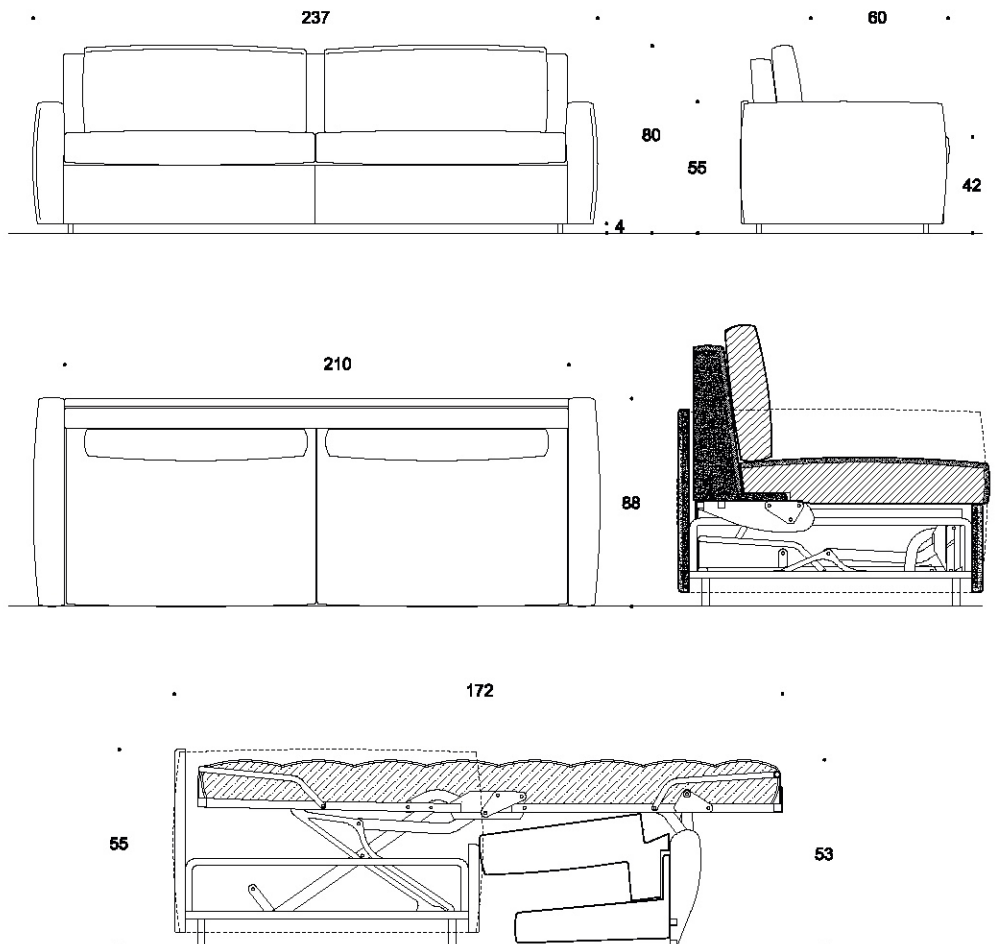




SCHEDA TECNICA

Technical sheet



CARATTERISTICHE FEATURES

- Materasso - Mattress:
Luxury memory h 13
- Rivestimento sfoderabile
Removable cover

OPTIONAL



Imbottitura seduta rigida
Firm seat padding



Ignifugo
Flame retardant

 Fibra siliconata 200 gr/m²
200 gr/m² siliconized fibre

 Poliuretano indeformabile 30 kg/m³
30 kg/m³ non-deformable polyurethane foam

 Tessuto / Pelle
Fabric / Leather

 Fusto in legno
Wooden frame

 Poliuretano rivestito
Coated polyurethane