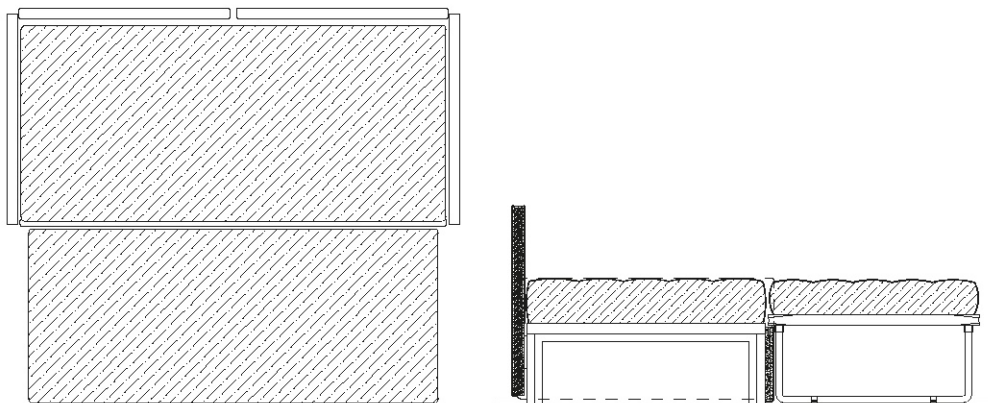
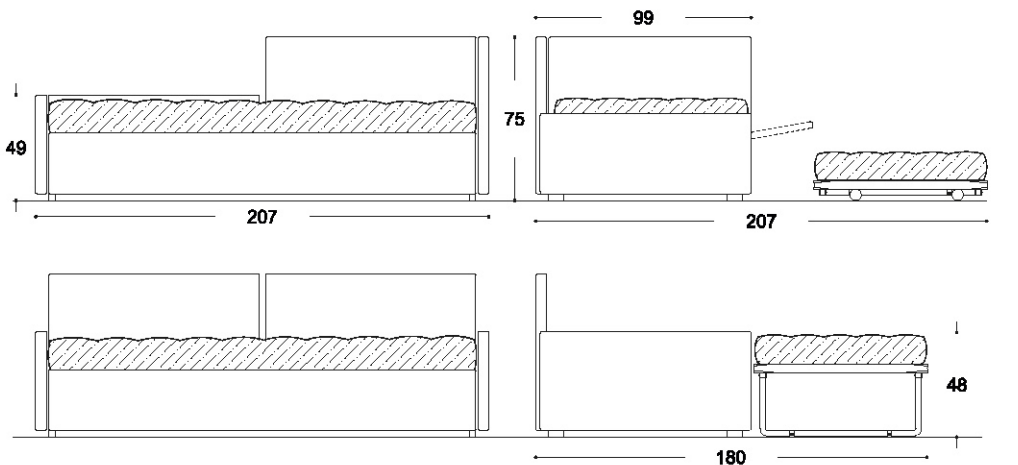


## SCHEMA TECNICA

Technical sheet



Fusto in legno  
Wooden frame

Poliuretano rivestito  
Coated polyurethane

Tessuto / Pelle  
Fabric / Leather

Materasso in poliuretano 30 kg/m<sup>3</sup>  
30 kg/m<sup>3</sup> polyurethane mattress

Poliuretano duro 50 kg/m<sup>3</sup>  
50 kg/m<sup>3</sup> firm polyurethane foam

## CARATTERISTICHE FEATURES

- Materasso superiore - upper mattress:  
Swappie Luxury memory h 17  
Rete a doghe - wooden slats
- Materasso inferiore - lower mattress:  
Swappie h 13  
Rete a doghe - wooden slats
- Rivestimento sfoderabile  
Removable cover
- Cucitura B  
Stitching B

## OPTIONAL

-  Trapunta coprimaterasso  
Quilt
-  Telo coprimaterasso  
Mattress cover
-  Coppia schienali  
Pair of backrests
-  Rullo cm 80 Ø cm 20  
Roll cushion
-  Coppia rulli cm 15 Ø cm 55  
Two roll cushions