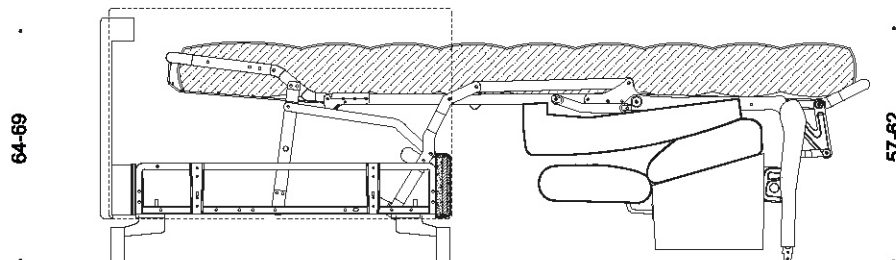
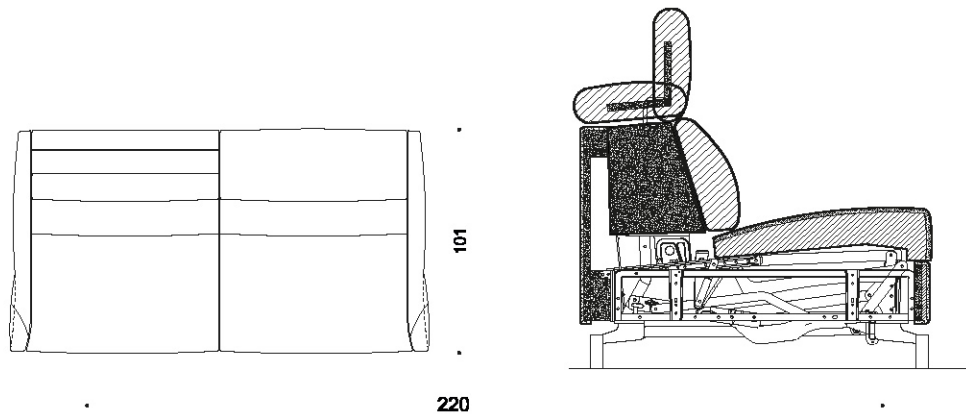
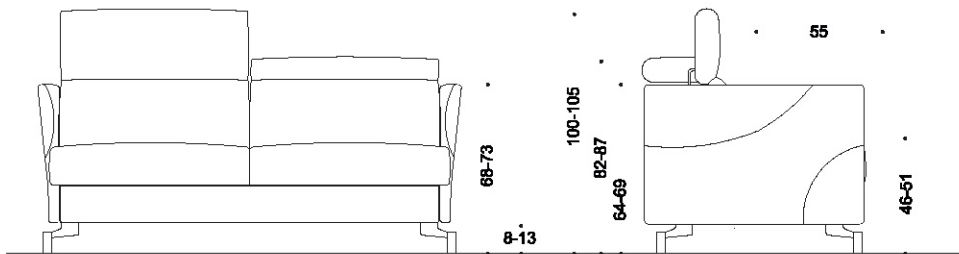


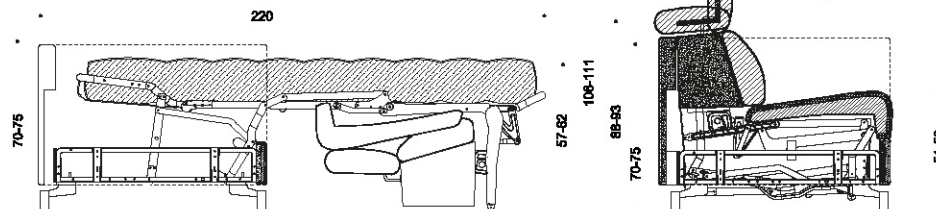
CLIPPER

SCHEMA TECNICA

Technical sheet



Versione Magnum materasso h 17
Magnum version mattress h 17



Fibra siliconata 200 gr/m²
200 gr/m² siliconized fibre

Poliuretano indeformabile 30 kg/m³
30 kg/m³ non-deformable polyurethane foam

Poliuretano soffice 18 kg/m³
18 kg/m³ polyurethane foam

Fusto in legno
Wooden frame

Poliuretano rivestito
Coated polyurethane

Tessuto / Pelle
Fabric / Leather

Garanzia 5 anni sul meccanismo
5 years mechanism warranty

CARATTERISTICHE FEATURES

- Materasso - Mattress:
Luxury memory h 13 - h 17
- Rivestimento sfoderabile
Removable cover
- Poggiatesta reclinabili
Adjustable headrests
- Piedini verniciati
antracite h 8
Anthracite painted feet h 8
- Piedini verniciati
antracite h 13
Anthracite painted feet h 13



OPTIONAL



Imbottitura seduta rigida
Firm seat padding



Ignifugo
Flame retardant