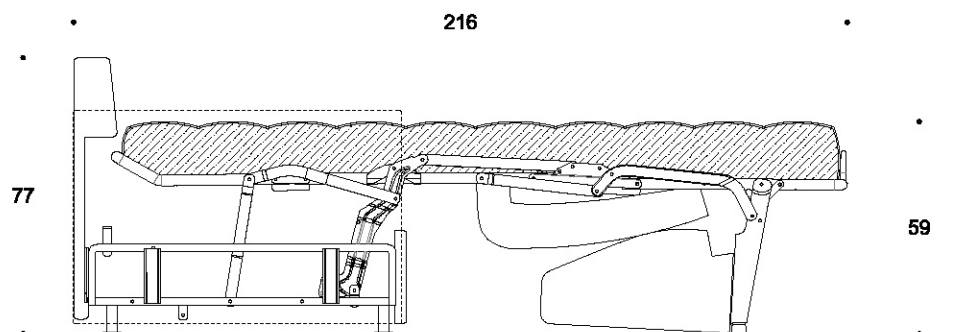
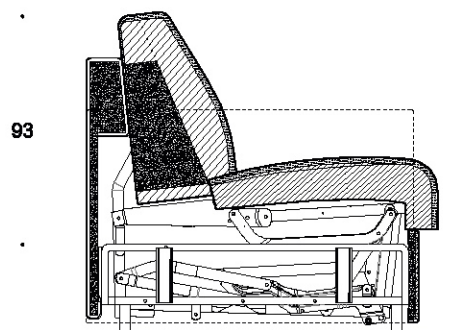
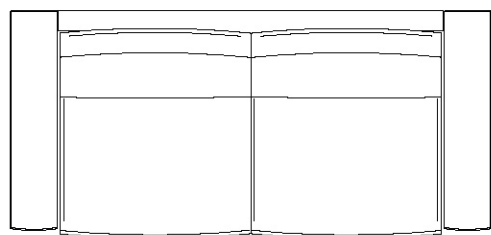
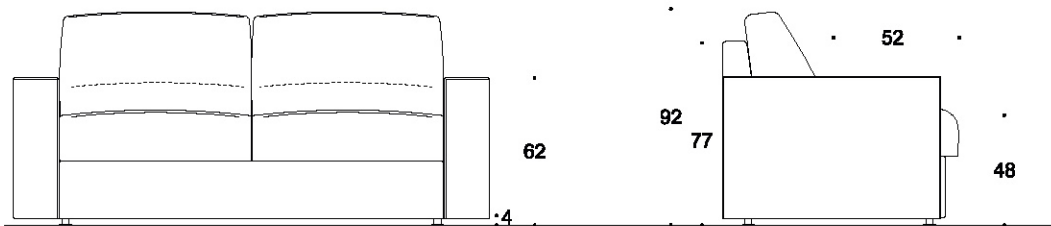


SCHEMA TECNICA

Technical sheet



Fibra siliconata 200 gr/m²
200 gr/m² siliconized fibre

Poliuretano indeformabile 30 kg/m³
30 kg/m³ non-deformable polyurethane foam

Poliuretano soffice 18 kg/m³
18 kg/m³ polyurethane foam

Fusto in legno
Wooden frame

Poliuretano rivestito
Coated polyurethane

Tessuto / Pelle
Fabric / Leather

CARATTERISTICHE FEATURES

- Materasso - Mattress:
Luxury memory h 17
- Rivestimento sfoderabile
Removable cover
- Portaguanciali
Pillows storage
- Cucitura A
Stitching A

OPTIONAL



Piedini in legno
Wooden feet



Piedini tubolari cromati
Chromed tubular feet



Rete a doghe
Wooden slats



Roller E-motion



Woody



Imbottitura seduta rigida
Firm seat padding



Ignifugo
Flame retardant