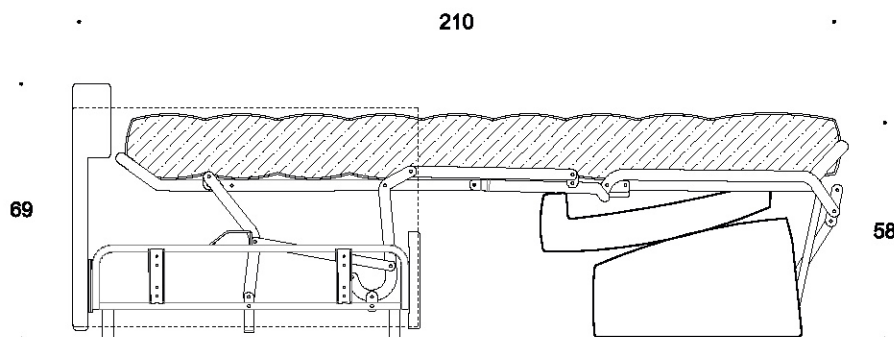
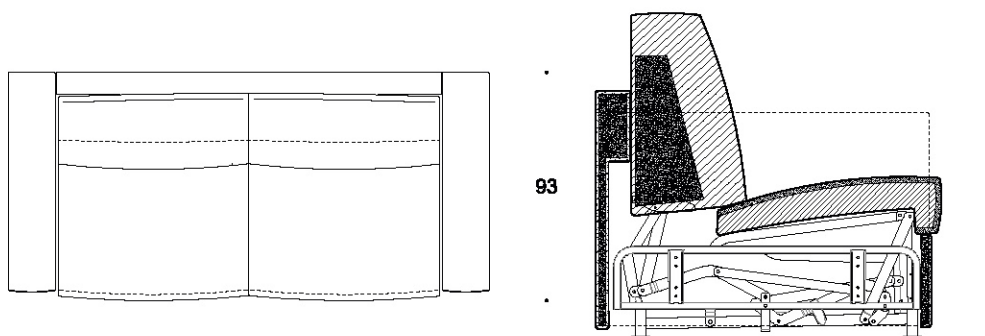
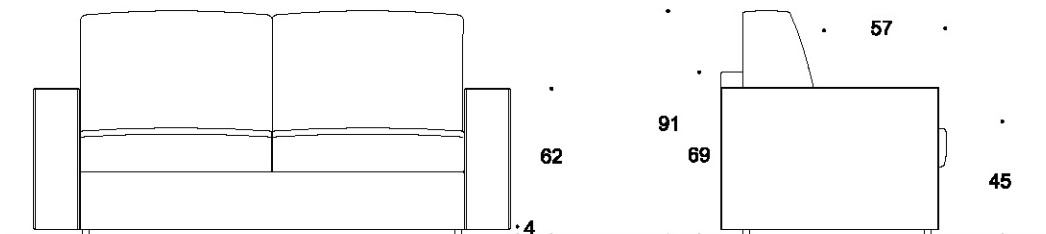


# ➤ BRIAN

## SCHEMA TECNICA

Technical sheet



 Fibra siliconata 200 gr/m<sup>2</sup>  
200 gr/m<sup>2</sup> siliconized fibre

 Poliuretano indeformabile 30 kg/m<sup>3</sup>  
30 kg/m<sup>3</sup> non-deformable polyurethane foam

 Poliuretano soffice 18 kg/m<sup>3</sup>  
18 kg/m<sup>3</sup> polyurethane foam

 Fusto in legno  
Wooden frame

 Poliuretano rivestito  
Coated polyurethane

 Tessuto / Pelle  
Fabric / Leather

## ➤ CARATTERISTICHE FEATURES

- Materasso - Mattress:  
Brian h 20
- Rivestimento sfoderabile  
Removable cover
- Portaguanciali  
Pillows storage
- Cucitura A  
Stitching A

## ➤ OPTIONAL



Roller E-motion



Imbottitura seduta rigida  
Firm seat padding



Ignifugo  
Flame retardant