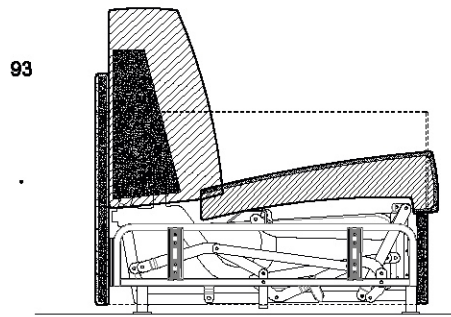
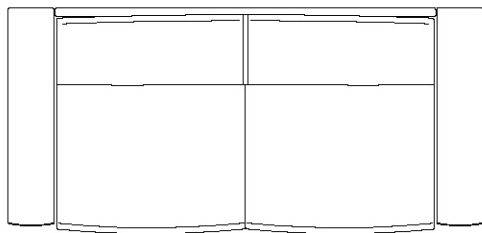
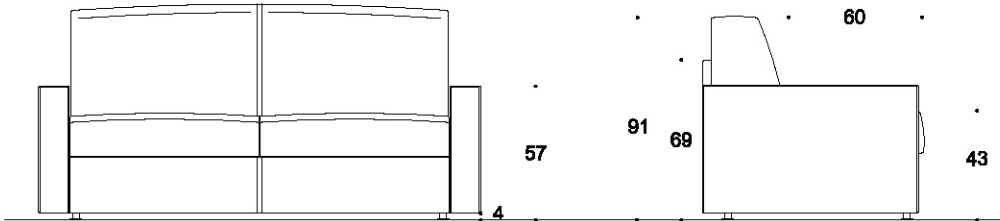


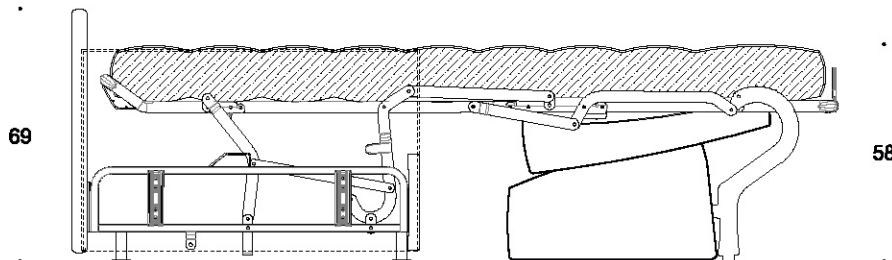
➤ BREAK

SCHEMA TECNICA

Technical sheet




206



 Fibra siliconata 200 gr/m²
200 gr/m² siliconized fibre

 Poliuretano indeformabile 30 kg/m³
30 kg/m³ non-deformable polyurethane foam

 Poliuretano soffice 18 kg/m³
18 kg/m³ polyurethane foam

 Fusto in legno
Wooden frame

 Poliuretano rivestito
Coated polyurethane

 Tessuto / Pelle
Fabric / Leather

➤ CARATTERISTICHE FEATURES

- Materasso - Mattress:
Break h 15
- Rivestimento sfoderabile
Removable cover
- Portaguanciali
Pillows storage
- Cucitura A
Stitching A

➤ OPTIONAL



Roller E-motion



Imbottitura seduta rigida
Firm seat padding



Ignifugo
Flame retardant