

# ► BOMBAY

## SCHEMA TECNICA

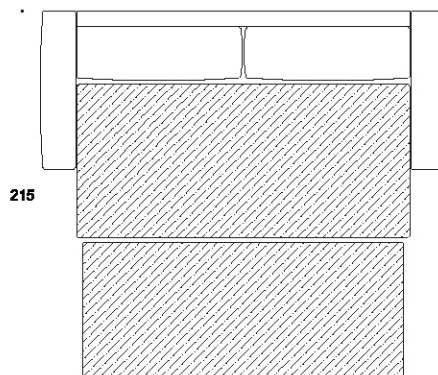
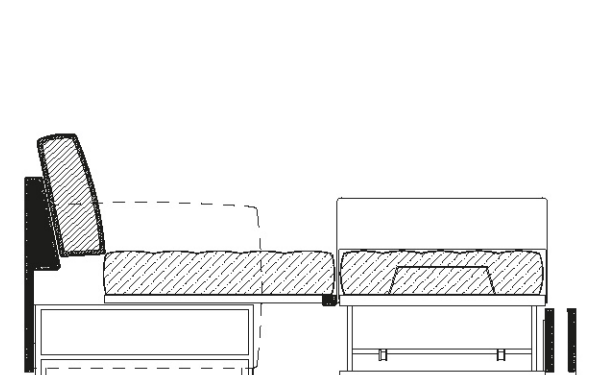
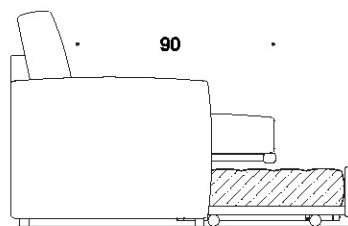
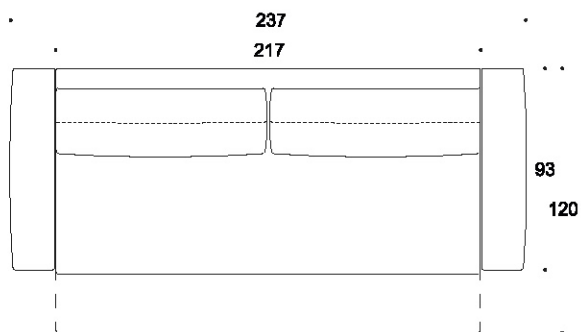
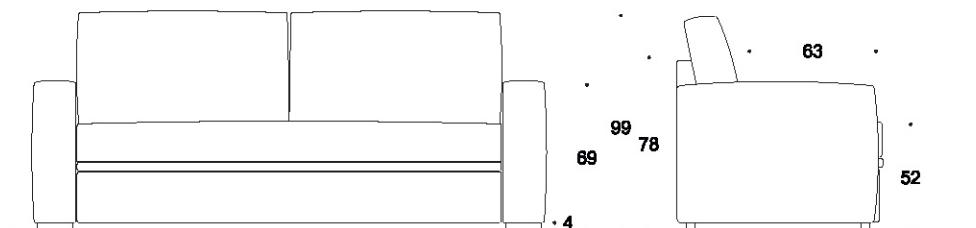
Technical sheet



Garanzia 5 anni sul meccanismo  
5 years mechanism warranty

## ► CARATTERISTICHE FEATURES

- Materasso superiore - upper mattress:  
Bombay Luxury memory h 17  
Rete a doghe - wooden slats
- Materasso inferiore - lower mattress:  
Bombay Luxury memory h 17  
Rete a doghe - wooden slats
- Rivestimento sfoderabile  
Removable cover
- Seduta estraibile  
Sliding seat
- Piedini in legno  
Wooden feet



 Fibra siliconata 200 gr/m<sup>2</sup>  
200 gr/m<sup>2</sup> siliconized fibre

 Poliuretano indeformabile 30 kg/m<sup>3</sup>  
30 kg/m<sup>3</sup> non-deformable polyurethane foam

 Poliuretano soffice 18 kg/m<sup>3</sup>  
18 kg/m<sup>3</sup> polyurethane foam

 Fusto in legno  
Wooden frame

 Poliuretano rivestito  
Coated polyurethane

 Tessuto / Pelle  
Fabric / Leather