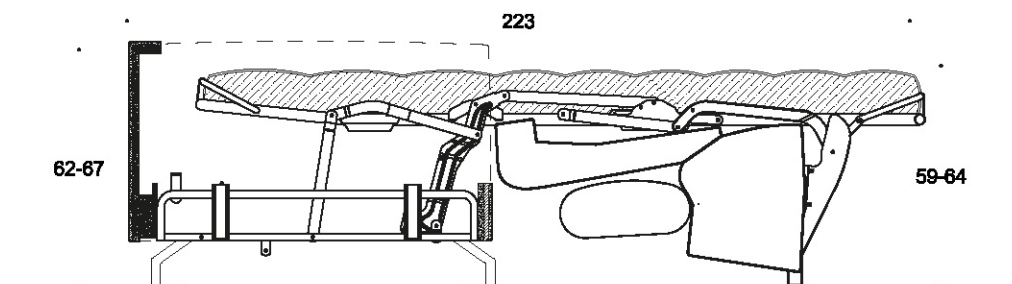
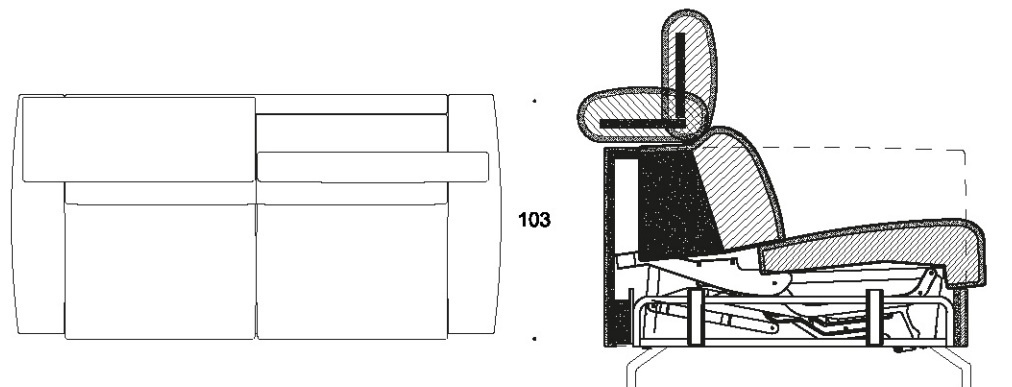
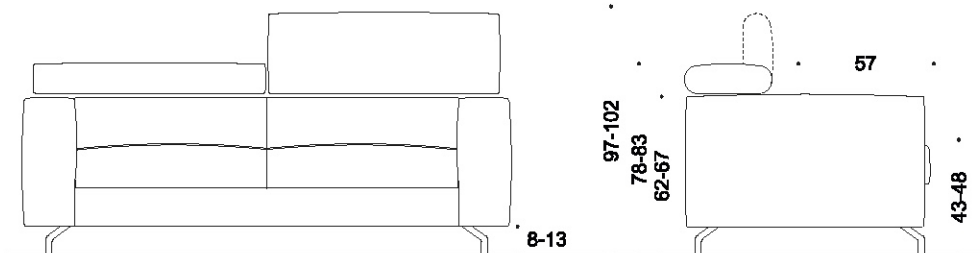


SCHEDA TECNICA

Technical sheet



CARATTERISTICHE FEATURES

- Materasso - Mattress:
Luxury memory h 13
- Rivestimento sfoderabile
Removable cover
- Poggiatesta reclinabili
Adjustable headrests
- Piedini cromati h 13
Chromed feet h 13



OPTIONAL



Piedini cromati h 8
Chromed feet h 8



Piedini verniciati antracite h 13
Anthracite painted feet h 13



Rete a doghe
Wooden slats



Imbottitura seduta rigida
Firm seat padding



Ignifugo
Flame retardant

Fibra siliconata 200 gr/m²
200 gr/m² siliconized fibre

Poliuretano indeformabile 30 kg/m³
30 kg/m³ non-deformable polyurethane foam

Poliuretano soffice 18 kg/m³
18 kg/m³ polyurethane foam

Fusto in legno
Wooden frame

Poliuretano rivestito
Coated polyurethane

Tessuto / Pelle
Fabric / Leather